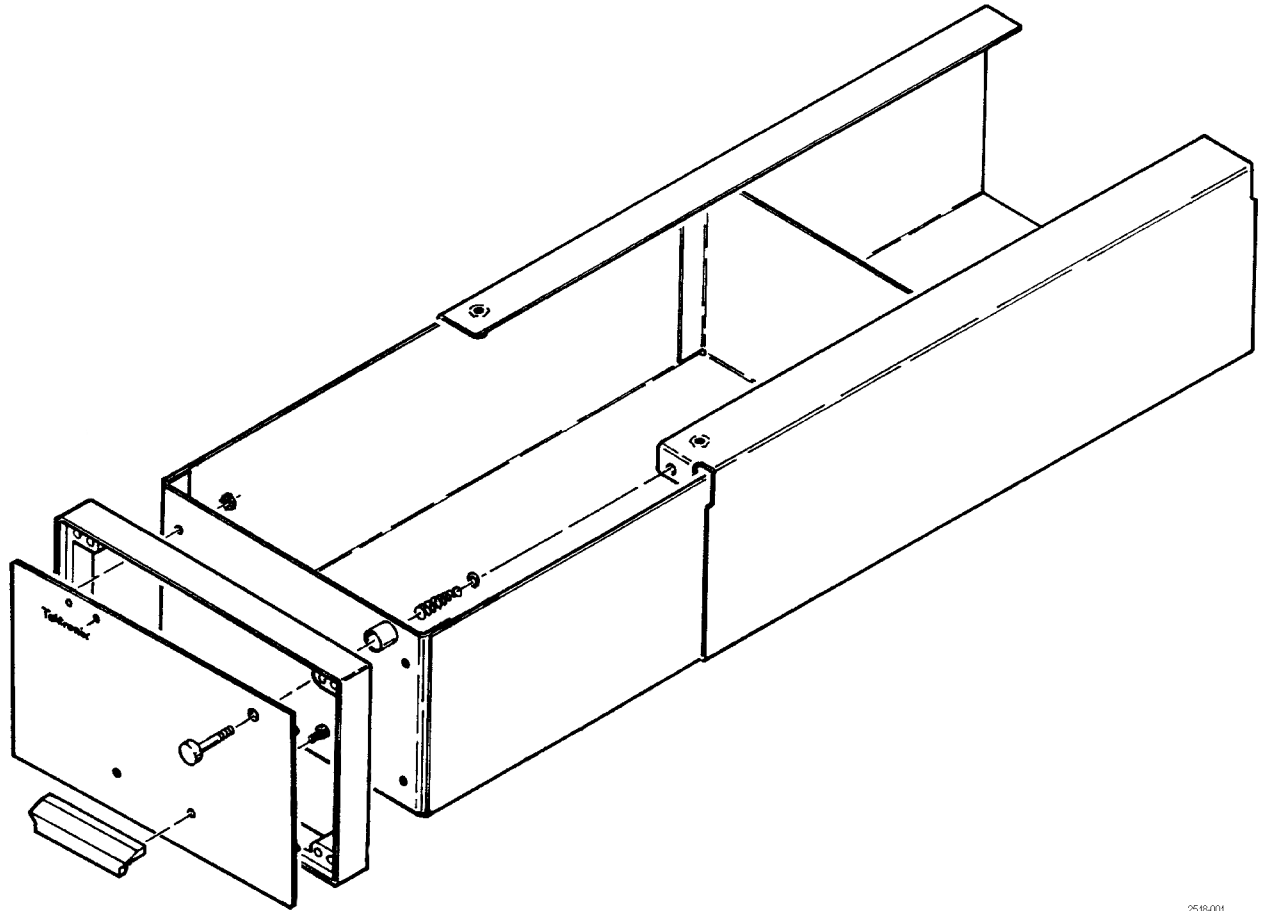


Rack Adapter Utility Drawer for Tektronix Waveform Monitors



2518-001

Product Application

This utility drawer and tray are designed to be installed in one half of the rack adapter for various models of the Tektronix waveform monitor. This drawer can be used to house accessory items. With the tray secured to the rear of the rack adapter, the drawer can be opened and closed freely, unless latched.



Installation Instructions



CAUTION. *Ensure that the tray is secured to the rear of the rack adapter before opening the drawer. Latch the drawer (by turning the thumbscrew fully clockwise) before transporting.*

1. Remove and save the screw from the rear of the drawer tray.
2. Install the tray and drawer together into one half of a rack adapter.
3. Secure the tray to the rear of the rack adapter using the screw that was removed in step 1.



NOTICE. *For other applications, the drawer can also be secured to the rear of the rack adapter. To do this, install a screw through the remaining hole in the rack adapter, and into the hole in the back of the drawer.*

4. Disengage the drawer latch by turning the thumbscrew fully counterclockwise. The drawer can now be opened and closed, as wanted.
5. Fasten the drawer latch again (turn the thumbscrew fully clockwise) for use in mobile units or any time the rack will be moved.
6. To remove the drawer and tray from the rack, first remove the securing screw from the back of the tray. Then, carefully slide the tray and drawer forward and pull them completely out of the rack.
7. To remove the drawer and tray from the rack, first remove the securing screw from the back of the tray. Then, carefully slide the tray and drawer forward and pull them completely out of the rack.